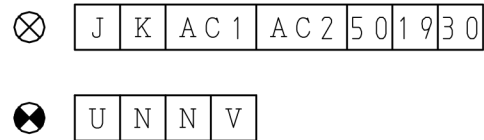


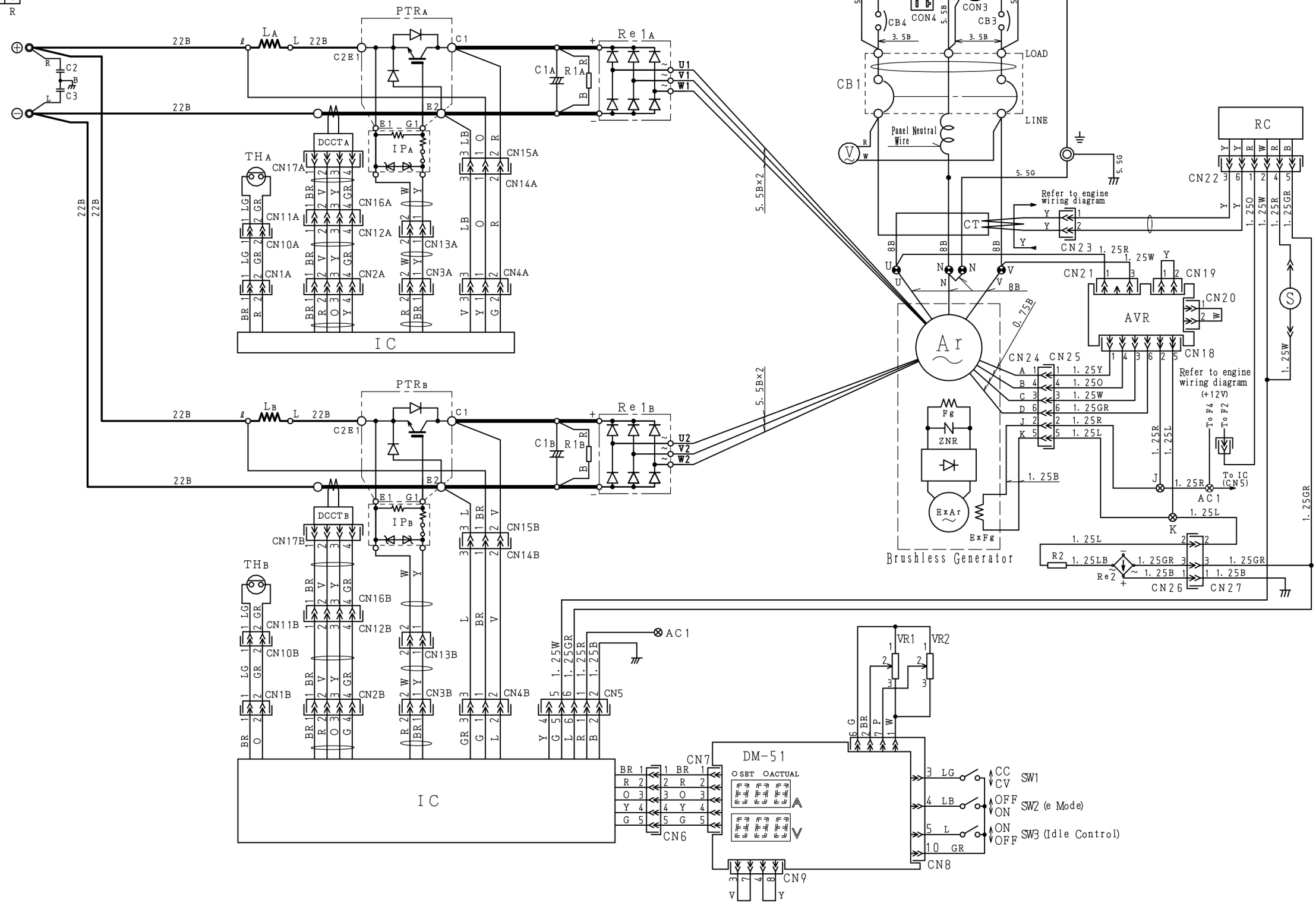
**CONNECTOR**  
(View from Wiring side)

**Terminal Board**

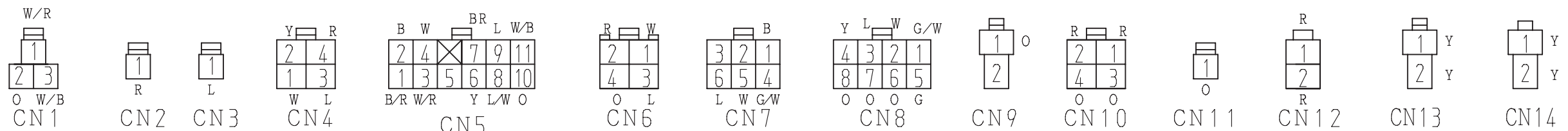


SYMBOL	PARTS NAME
V	AC Voltmeter
CB1	AC Circuit Breaker (GFCI)
CB2	AC Circuit Protector
CB3	AC Circuit Protector
CB4	AC Circuit Protector
CON1	Output Receptacle (120/240V)
CON2	Output Receptacle (240V)
CON3	Output Receptacle (120V)
CON4	Output Receptacle (120V)
⊕	Ground Terminal (for GFCI)
Re 1A,B	Rectifier
Re 2	Rectifier
C1A,B	Condenser
C2, C3	Surge Filter
R1A,B	Resistor
R2	Resistor
PTRA,B	IGBT
IPA,B	Protector, transistor (IGBT)
IC	Control Unit, transistor (IGBT)
DM-51	Digital Panel
LA,B	DC Reactor
VR1	Current/Voltage Regulator
VR2	Arc Force Regulator
DCCTA,B	DC Current Transformer
SW1	Welding Mode Selector Switch (CC/CV)
SW2	e mode Selector Switch
SW3	Idle control Switch
THA,B	Thermostat
⊕ ⊖	DC Welding Output Terminal
⊗, ⊙	Terminal Board
AVR	Automatic Voltage Regulator
RC	Control Unit, idle control
CT	Current Transformer
S	Rotary Solenoid

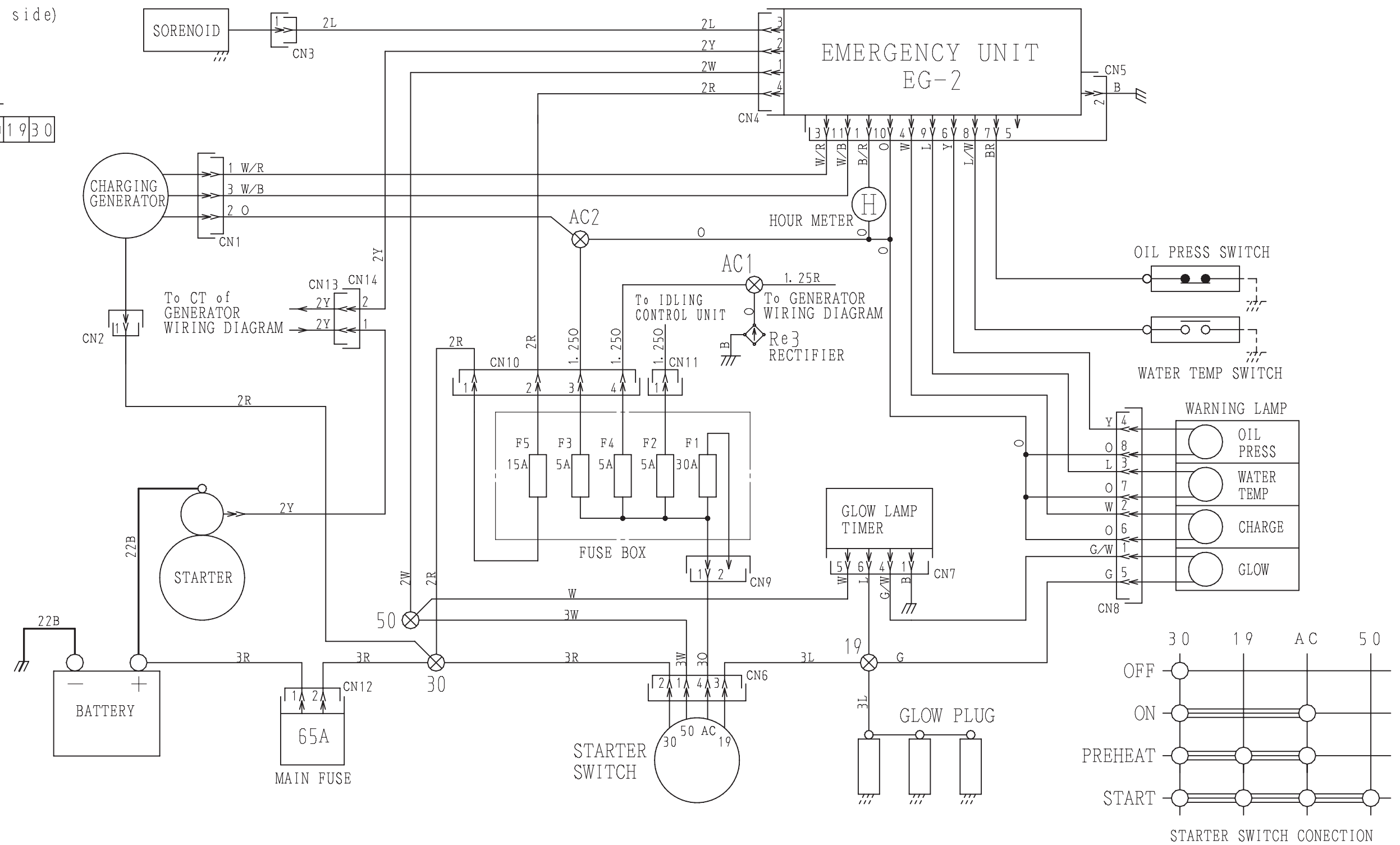
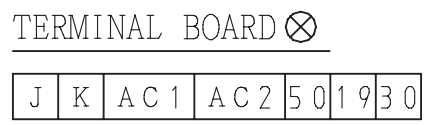
Wire Size	WIRING COLOR CODE			
	SYMBOL	COLOR	SYMBOL	COLOR
1.25 : 1.25mm <sup>2</sup>	B	BLACK	R	RED
2 : 2mm <sup>2</sup>	L	BLUE	W	WHITE
3.5 : 3.5mm <sup>2</sup>	BR	BROWN	Y	YELLOW
5.5 : 5.5mm <sup>2</sup>	G	GREEN	LB	LIGHT BLUE
8 : 8mm <sup>2</sup>	GR	GRAY	LG	LIGHT GREEN
	V	VIOLET	O	ORANGE
NO MARK : 0.75mm <sup>2</sup>	P	PINK		



**DLW300ESA GENERATOR  
GFCI WIRING DIAGRAM**



CONNECTOR  
(View from wiring side)



Wire Size	WIRING COLOR CODE			
1.25: 1.25mm <sup>2</sup>	SYMBOL	COLOR	SYMBOL	COLOR
2: 2mm <sup>2</sup>	B	BLACK	R	RED
3: 3mm <sup>2</sup>	L	BLUE	W	WHITE
22: 22mm <sup>2</sup>	BR	BROWN	Y	YELLOW
	G	GREEN	LB	LIGHT BLUE
	GR	GRAY	LG	LIGHT GREEN
	V	VIOLET	O	ORANGE
NO MARK: 0.75mm <sup>2</sup>	P	PINK		

## DLW300ESA GFCI ENGINE WIRING DIAGRAM

